

TLS 600

Technical data

Optical

Max. operating range (on Kodak white)	4 m
Detection area at 2 m distance	860 mm × 280 mm
Min. distance to background	0.2 m
Adjustable recalibration time	3 ... 180 s
Max. ambient light	100,000 Lux

Mechanical

Dimensions (w × h × d)	62 × 18 × 32 mm
Housing material	Polycarbonate, ABS
Housing color	Black
Enclosure rating	IP40
Temperature range	-20 °C ... +60 °C
Mounting bracket - angle adjustment	0° ... 20°

Electrical

Supply voltage U_{SP}	10 ... 30 VDC
Max. current consumption at 24 VDC	40 mA
Output	PNP or NPN
Max. response time	150 ms

Connection cable and electrical connection

Length	2 m
Diameter	Ø 3.4 mm
Material	PVC, black
Connection	4 wires
Wires	AWG26
• brown	U_{SP} (10 ... 30 VDC)
• blue	GND (0 V)
• black	Output
• white	Test input

General

EMC emission	EN 61000-6-3:2007
EMC immunity	EN 61000-6-2:2005
Shock	EN 60068-2-27:2009
Vibration	EN 60068-2-6:2008
RoHS	2011/65/EU
Certificate	CE



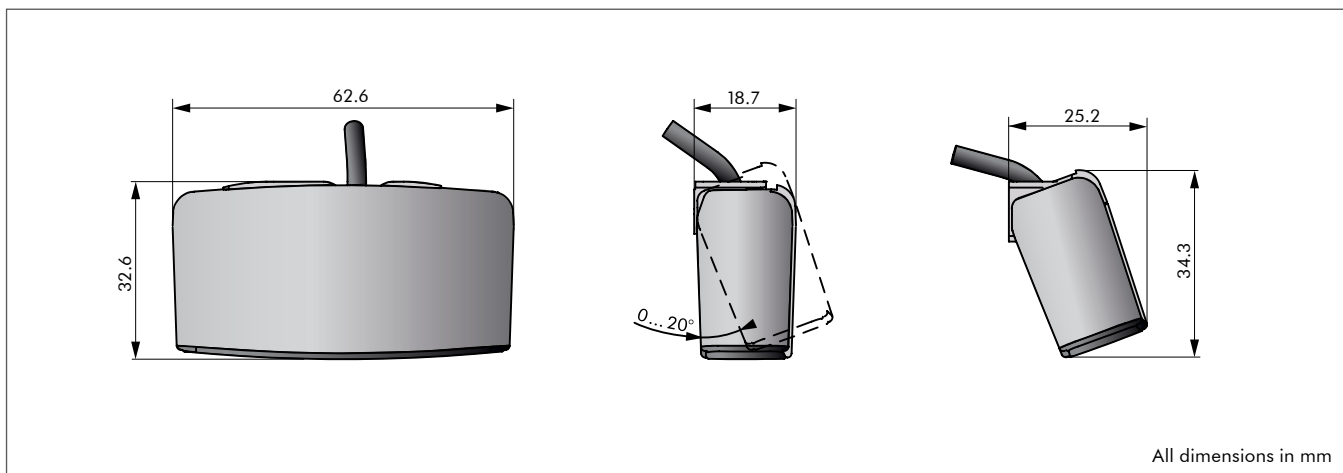
CEDES AG is certified according to ISO 9001: 2008.

Features

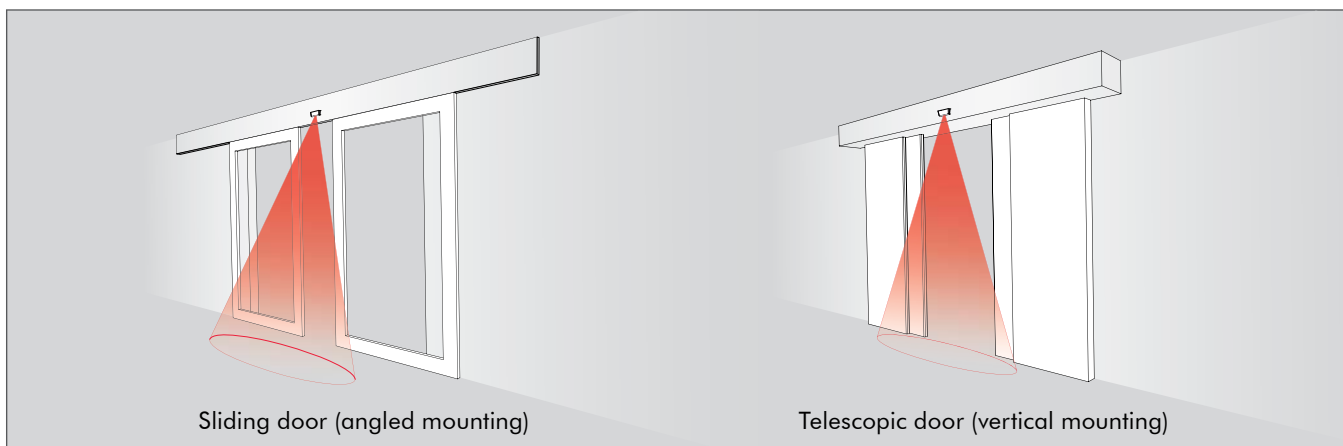
- Intelligent, infrared-based diffuse-reflective sensor
- Excellent detection capability
- PNP or NPN output
- Small and sleek design
- Plug-and-play
- Operating range up to 4 m
- Easy mounting
- Insensitive to direct sunlight up to 100,000 Lux



Dimensions



Applications



TLS 600

Ordering information

Complete set

Part No.	Type	Description
111 185	TLS 600-P-PNP-DO	TLS 600, adjustable recalibration time 3 ... 180 s, mounting bracket, screws, screwdriver and quick guide manual
112 024	TLS 600-P-PNP-LO	TLS 600, adjustable recalibration time 3 ... 180 s, mounting bracket, screws, screwdriver and quick guide manual
112 026	TLS 600-P-NPN-DO	TLS 600, adjustable recalibration time 3 ... 180 s, mounting bracket, screws, screwdriver and quick guide manual
112 025	TLS 600-P-NPN-LO	TLS 600, adjustable recalibration time 3 ... 180 s, mounting bracket, screws, screwdriver and quick guide manual



Single components / Accessories

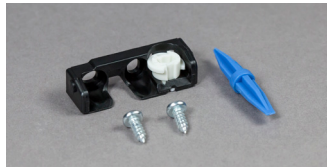
Mounting kit

Part No.

111 217

Description

Mounting bracket, 2 × screws and screwdriver



Power line converter

Part No.

106 666

Description

85 ... 265 VAC, for 24 VDC sensors with up to 250 mA current consumption

Changes the semiconductor output into relay output



Relay-module

Part No.

103 602

Description

Changes the semiconductor output into relay output

